

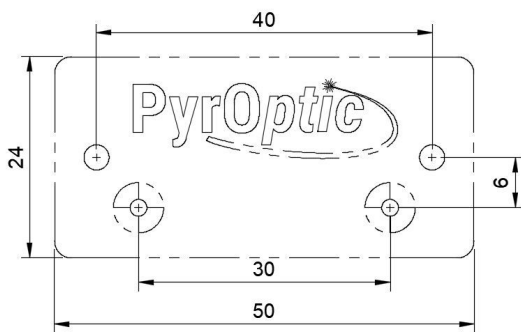


For more information,
Contact sales@pyroptic.com

Description

PyrOptic is for routine manual loop continuity inspections and provides a convenient termination point for fibre cores that can be mounted to enclosure surfaces and on brackets. Personnel can check from one to literally hundreds of PyrOnodes in seconds by applying a visible light source such as a torch or laser pointer to one target while checking for illuminance of the other.


Features



Product Image



Specifications

Feature	Information	Notes
Materials	Poly(methyl methacrylate)	
Fixing	Two holes provided for M3 fasteners	
Fibre retention	<p>Apply a small quantity (as shown) of Loctite 406 or equivalent to each fibre core end and push into the retaining holes.</p> 	<p>Fibre cores can be removed using pliers if required. Remanent glue should be carefully cleared using a 1mm drill before reuse.</p>

All prices are subject to change and do not include GST

Pricing

Order Code	Description	Qty. Cost 1	Qty. Cost 10
PYR-PLT	Loop Inspection Plate	\$20 each	\$18 each